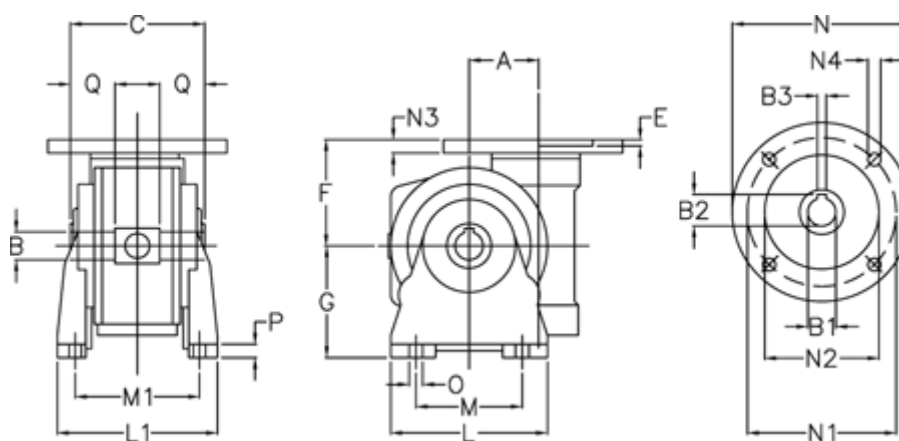


Article number: 3902150020355

Description: Worm gear
VF 150-V-20-160B5, without lubrication

Measures



A	= 150	G	= 220	N3	= 18
B	= 50 H7	L	= 330	N4	= 18
B1 E7	= 42	L1	= 260	O	= 18
B2	= 44.6	M	= 240	P	= 20
B3 H9	= 12	M1	= 211	Q	= 55
C	= 175	N	= 350		
E	= 2	N1	= 300		
F	= 190	N2	= 250		